

# COMPACT P INSTALL OVERVIEW

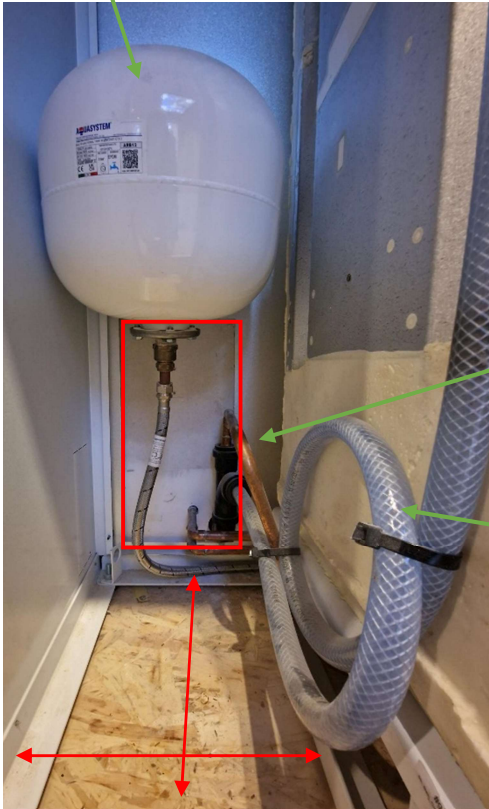


## Plumbing

THIS GUIDE DOES NOT TAKE THE PLACE OF THE FACTORY ISSUED INSTALLERS MANUAL AND IS ONLY TO SHOW THE INDICATIVE ARRANGEMENT OF A TYPICAL INSTALLATION.

Installers guide can be found at <https://www.en.nilan.dk/downloads>

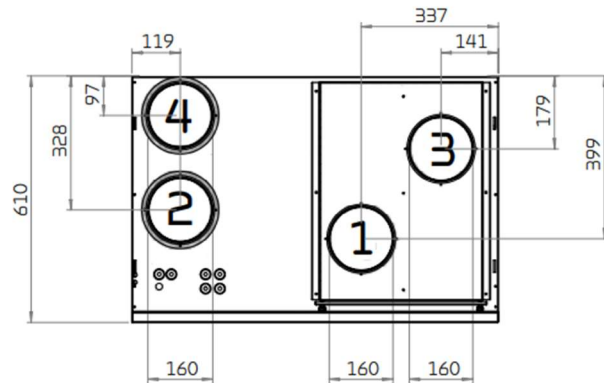
18lt Expansion Vessel connected to safety valve



INSIDE LEFT HAND SIDE SERVICE SPACE

### Top spigot references

1. Air from outside
2. Air to the supply manifold
3. Air From extract manifold
4. Air to the outside



From pressure Safety Valve

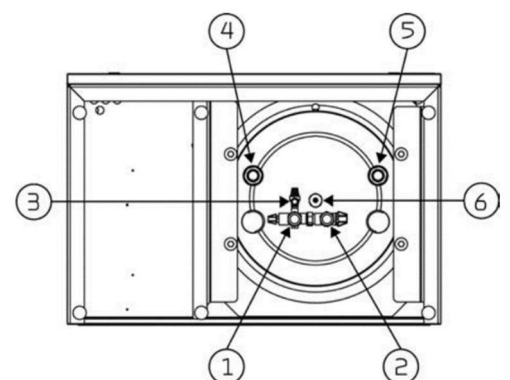
Condensate hose drip, looped to create wet trap and no backfall to drain

The units are to be transported in a vertical position. If tilted over 45°, check the Compressor is secured on its sound proof feet, and not pulling on refrigerant lines. As per below



Thermostatic mixing valve - set to 50%

1. Cold water supply
2. Warm water return
3. Safety valve
4. Solar/Supplementary return
5. Solar/Supplementary Supply
6. Temperature sensor T12



UNDERSIDE